

RASCO Automotive Systems Private Limited

Automotive & Mechanical Design Solutions

2011-2012



RASCO is a leading provider of Automotive, Marine & Mechanical CAD CAM & CAE solutions to OEM, Tier 1 & 2 automotive, marine and mechanical manufacturing units worldwide.

For more information, please contact our representative

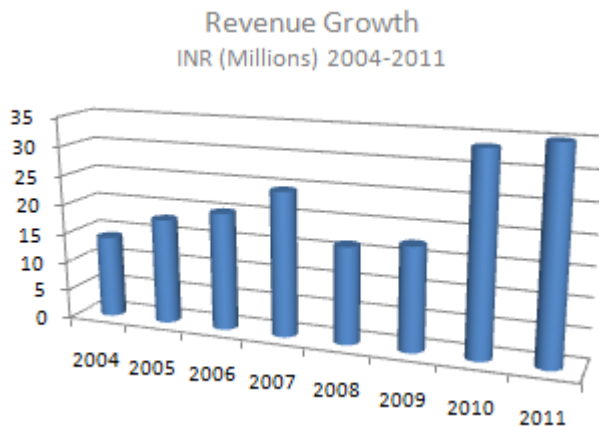


Suite 134-135 LGF World Trade Centre
Barakhamba Lane, New Delhi – 110 001
+91-(0)11-2341-1356
www.rascoauto.com

Company

RASCO is a leading provider of automotive & mechanical engineering design (PLM) solutions to OEMs, Tier 1 & 2 suppliers and aftermarket manufacturers. Founded in 1953, incorporated in 2004, RASCO boasts of an elite automotive and mechanical clientele in India and Europe.

As a company driven by passion, of its promoters and employees, boasts of highly skilled workforce academically and experience wise. RASCO has delivered better quality work and customer satisfaction year on year which has resulted in better financial growth of the company over the years.



Group Companies

RASCO Radiators

(Formerly, Radiator Supply Company, Established 1953)
Suppliers, Exporters & Traders – Generator, Truck & Tractor Radiators

Maxmite Consultants

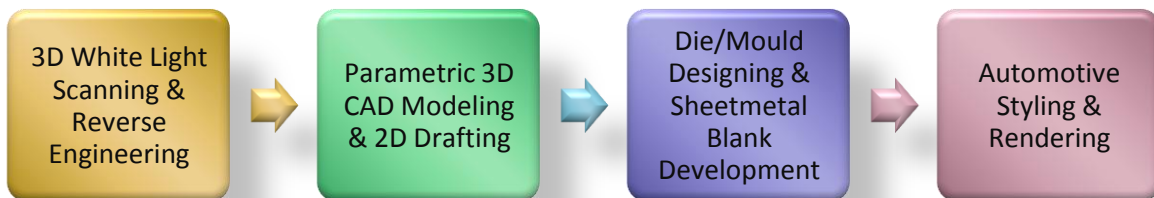
Traders NSE Derivatives & Equity Markets

RASCO Financial Services

NSE Equity based fund

Services Suite

RASCO provides PLM services under the following domains:



For providing these services RASCO is equipped with world class software and hardware tools like:



3D White Light Scanning & Reverse Engineering

RASCO provides 3D White Light Scanning services for automotive and mechanical components from 150mm to 4000mm in high accuracy. The deliverables include high density organised point data sets or polygon models.

As part of its reverse engineering offerings, RASCO is capable of converting Polygon Scan models to NURBS surfaces and solids within very tight tolerances thereby giving the client to obtain a digital prototype of a physical component with no CAD.



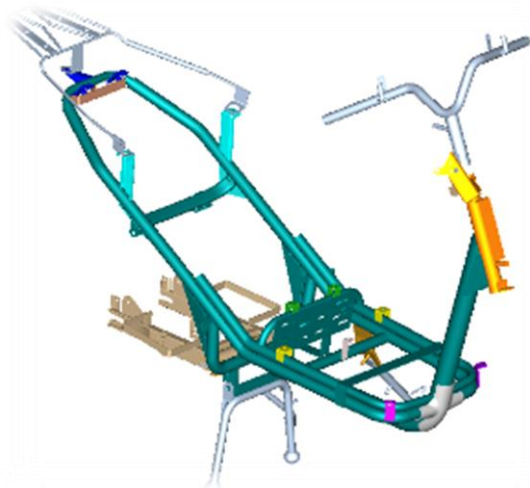
3D Scan as a polygon model
Automotive Suspension Arm

3D NURBS Model

3D Scan Vs 3D Model
Comparison within
permissible tolerance

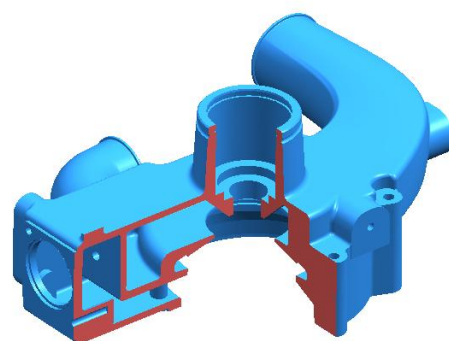
Parametric CAD Modelling & Die/Mould Designing

RASCO provides parametric CAD Modelling covering, Solid Modelling, Assembly, Sheetmetal & Drafting in Siemens PLM CAD platforms and AutoCAD.



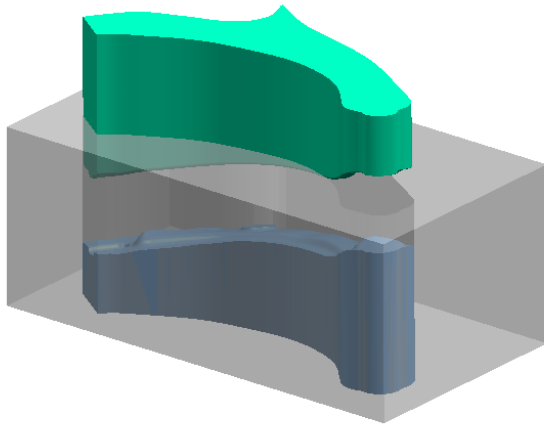
Parametric CAD Model – Electric Bike Frame

Tool: Solid Edge ST3

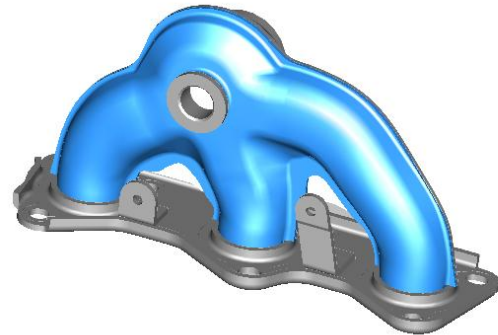


Parametric CAD Model – Centrifugal
Pump

Tool: Unigraphics NX4



Die Design for Automotive Suspension Arm
Tool: IDEAS 12NX



Automotive Intake Manifold
Tool: Solid Edge ST3

Computer Aided Design (CAD)

Parametric Modeling – NX, Ideas, Solid Edge
 Reverse Engineering

Engineering Drafting – AutoCAD
 Automotive Styling & Rendering

Computer Aided Manufacturing (CAM)

Die Designing – Sheetmetal Components
 Mould Designing – Castings, Forgings, Plastic

Computer Aided Engineering (CAE)
 Sheetmetal Blank Development

Summary

RASCO is a leading provider of automotive and mechanical engineering design services by the use of latest CAD CAM CAE tools. With automotive clientele from OEMs, Tier 1 & 2 Suppliers to aftermarket manufacturers, RASCO is a preferred name in PLM services.

With the capability of providing end to end services from product digitisation to die designing, RASCO covers all aspects of digital product development. In addition to the automotive segment, RASCO is also a leading service provider to the mechanical manufacturing industry by providing services like machine design, fastener analysis, assembly exploded views, BOMs and fabrication drafts.

Corporate Office	Registered Office & Works
Suite 134-135 LGF World Trade Centre Barakhamba Lane New Delhi – 110 001 India	Unit 55-56 Gokhle Market Tis Hazari Delhi – 110 054 India
T: +91-(0)11-2341-1356 T:+91-(0)11-2341-1378	T: +91-(0)11-2392-8429 F: +91-(0)11-4152-8086

www.rascoauto.com